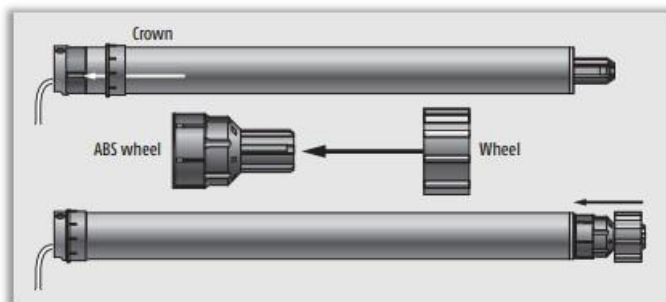


Ø40mm ABS Wheel Guide

The left **or** right hand Ø40mm ABS Wheel enables obstacle detection functionality with a Ø40mm motor.

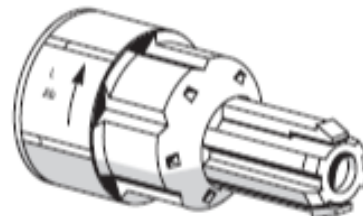
When an obstacle is detected on the downward motion, the motor will stop. The ABS wheel backs off the electronic limit switch and cuts out the motor.



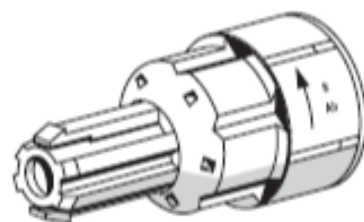
INSTALLATION GUIDELINES & CONSIDERATIONS

- The Ø40mm ABS wheels are **only** compatible with RTS and RS485 technology.
- The Ø40mm motor **must** have electronic limit switches.
- For all applications with a Ø40mm ABS wheel; side channels [with a fabric trap via zip] as well as a headbox is mandatory.
- Installers **must** carefully select either a Right hand or a Left hand Ø40mm ABS wheels using the selection guide in Ø40mm Technical Datasheet.
- The minimum Torque to engage the free wheel is 0.2Nm.
- The Ø40mm ABS wheels **adds up to 20mm extra length** when fixed to the drive wheel.
- Compatible with a **maximum** torque of 13Nm.

Left Hand ABS Wheel - 9704139



Right Hand ABS Wheel - 9704138



SELECTION GUIDE

	Motor on the Left	Motor on the Right
Fabric rolling in front	Right ABS Ø40mm ABS Wheel [9704138]	Left ABS Ø40mm ABS Wheel [9704139]
Fabric rolling in back	Left ABS Ø40mm ABS Wheel [9704139]	Right ABS Ø40mm ABS Wheel [9704138]